

# CX-TRX-5024

## Transformer

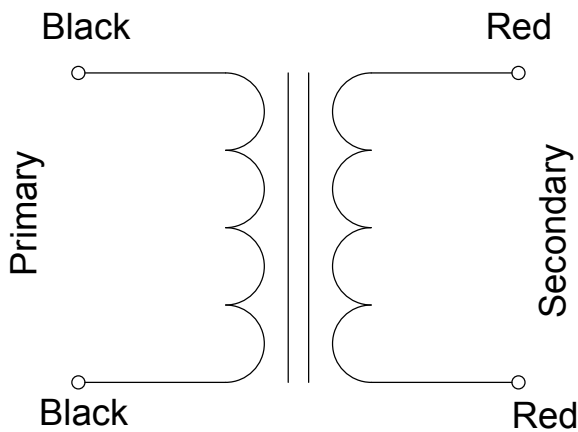
### INSTALLATION INSTRUCTIONS

#### 1. FEATURES

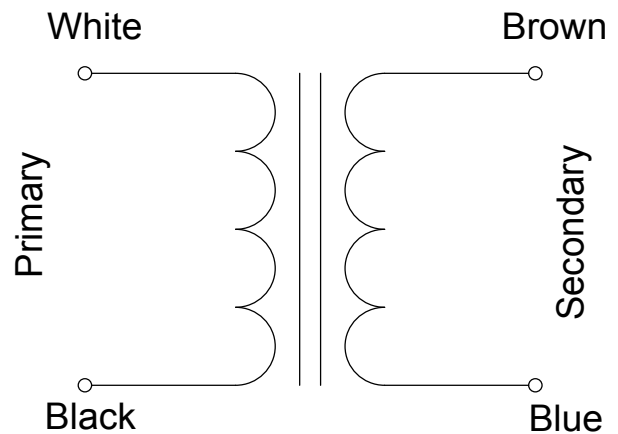
- Economical single primary 115 VAC, 60 Hz.  
Or 117 VAC, 50/60 Hz.
- Open style, channel bracket, two-hole chassis mount.
- Minimum 6" long leads.
- Dual bobbin design -no electrostatics shield required.
- Class B insulation.
- Hi-post test of 2,000 V RMS.
- UL Listed Class 2.

#### 2. TRANSFORMER SCHEMATIC

A. Transformer with BLACK Primary & RED Secondary:



B. Transformer with BLACK/WHITE Primary & BLUE/BROWN Secondary:



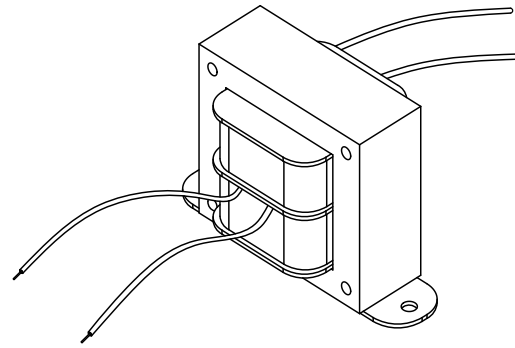
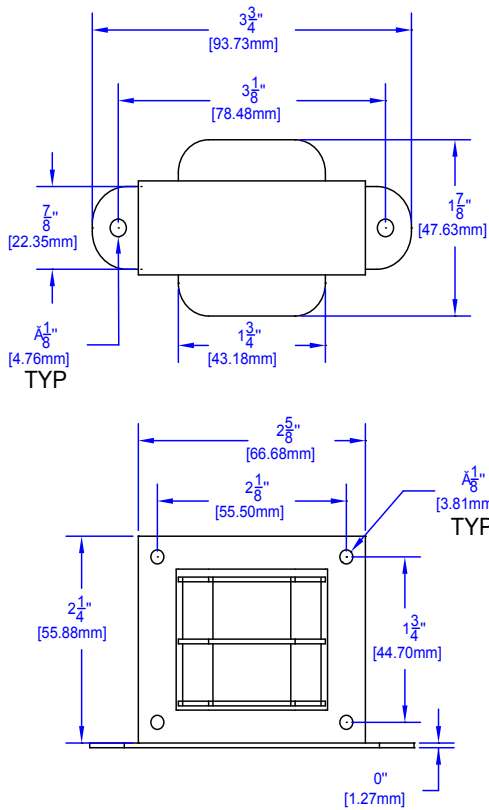
OPEN STYLE FILAMENT & L.V. RECTIFIER USE TRANSFORMERS

# CX-TRX-5024 Transformer

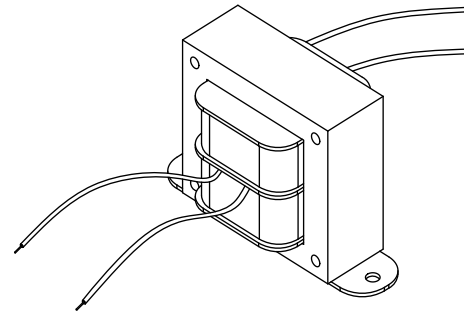
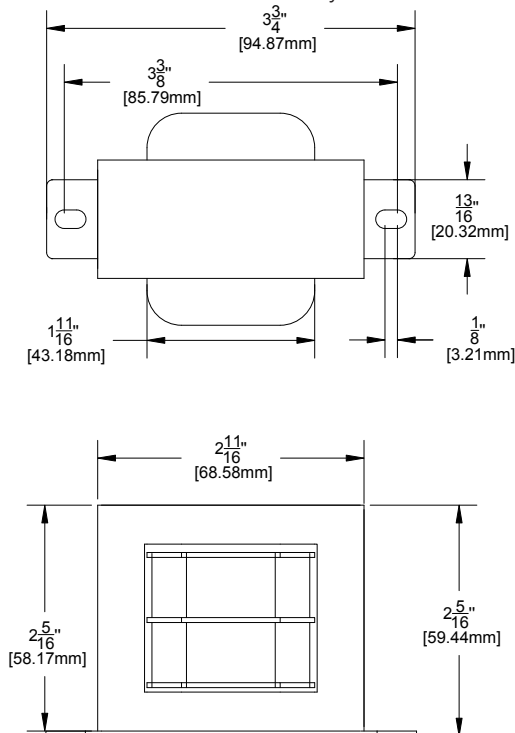
INSTALLATION INSTRUCTIONS

## 3. DIMENSIONS

A. Transformer with BLACK Primary & RED Secondary:



B. Transformer with BLACK/WHITE Primary & BLUE/BROWN Secondary:



Opening New Doors to Innovation, Quality and Support!

Call: 1.877.226.3369 / 905.366.3377  
Visit: [www.camdencontrols.com](http://www.camdencontrols.com)



File: CX-TRX-5024-Manual\_R1.indd  
Revision: September 4, 2024  
Part No.: # 40-82B251