

CX-CL-LZBRK

L & Z Brackets for Cabinet Lock

INSTALLATION INSTRUCTIONS

THIS PACKAGE INCLUDES:

2 - M4 x 12mm Screws	1 - L Bracket	1 - User Manual
4 - ST3.5 x 19mm Screws	1 - Z Bracket	4 - M3 x 8mm Screws

1. GENERAL DESCRIPTION

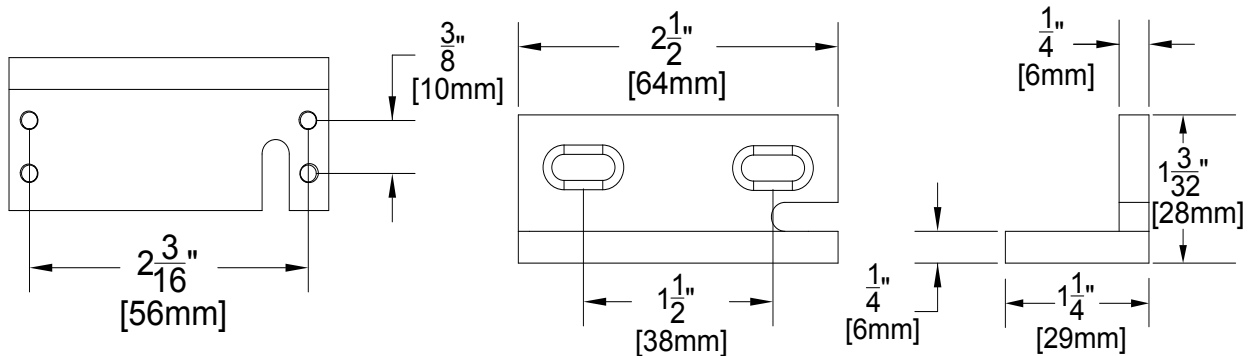
These professional-grade L&Z brackets provide an ideal solution for mounting CX-EPD0009 cabinet locks on in-swinging, single doors. The L bracket is designed for attaching the magnet to the door frame's face when header space is unavailable. The Z bracket allows for horizontal adjustment of the plate pin.

2. SPECIFICATIONS

Dimensions (L Bracket)	2 1/2" x 1 3/32" x 1 1/4" 64mm x 28mm x 29mm
Dimensions (Z Bracket)	2 1/2" x 1 5/8" x 3" 64mm x 41mm x 76mm

3. DIMENSIONS

L Bracket



Z Bracket

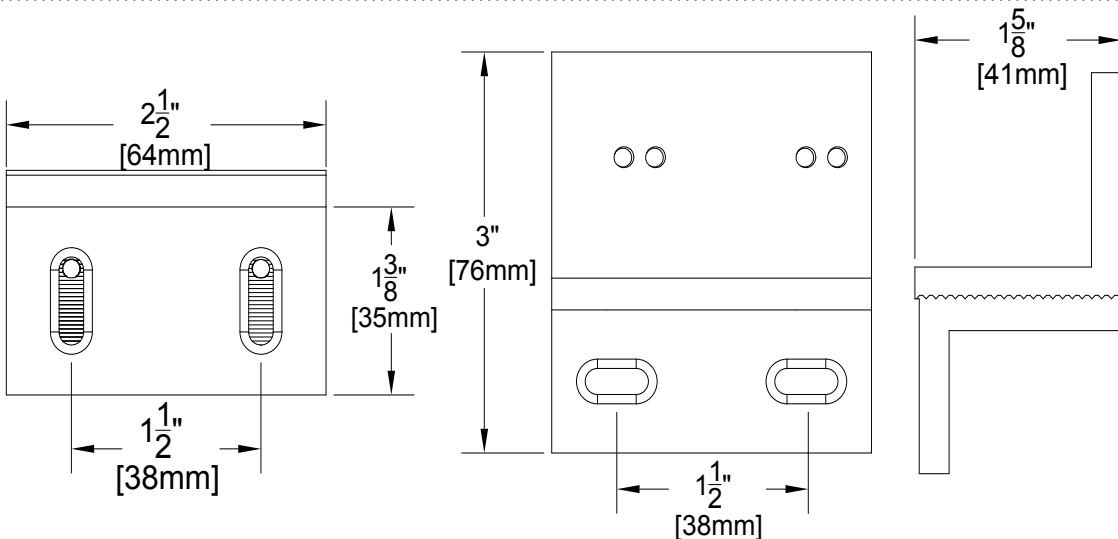


Figure 3.1 L&Z Brackets Dimensions

4. INSTALLATION

1. L Bracket:

- Align the L bracket near the upper corner of the door, ensuring a minimum gap of 3/8" (10mm) to allow the door to close properly.
- Mark the bracket's mounting location. Drill holes using a pilot drill bit. Attach the bracket to the frame with the provided ST3.5 x 19mm screws.
- Secure the locking body using m3 x 25mm socket head cap screws.

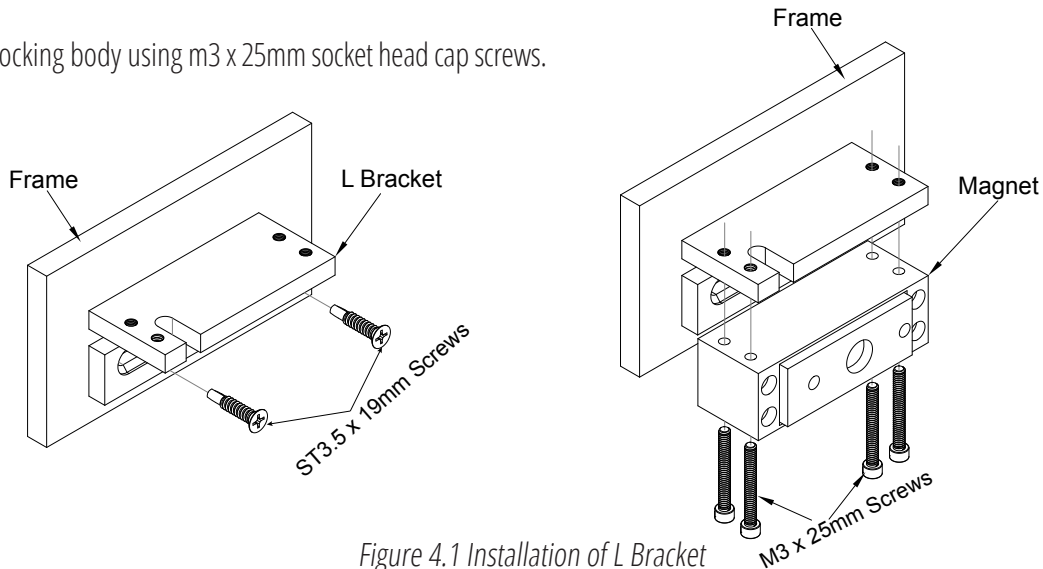


Figure 4.1 Installation of L Bracket

2. Z Bracket:

- Put together the Z bracket using the provided M4 x 12mm screws. Ensure the bracket can adjust freely before final tightening.
- Fix the plate pin to the Z bracket with an M3 x 8mm screw (refer to the provided figure for guidance).
- Firmly attach the Z bracket to the door using ST3.5 x 19mm screws.

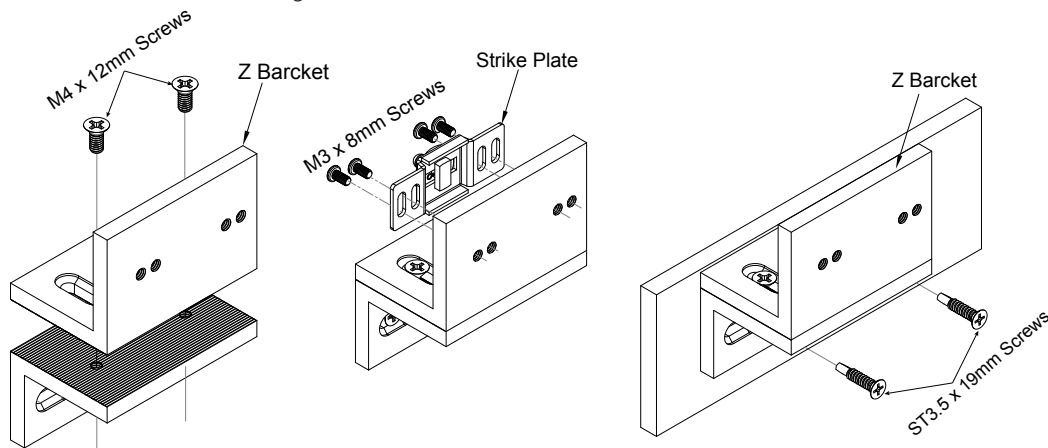


Figure 4.2 Installation of Z Bracket

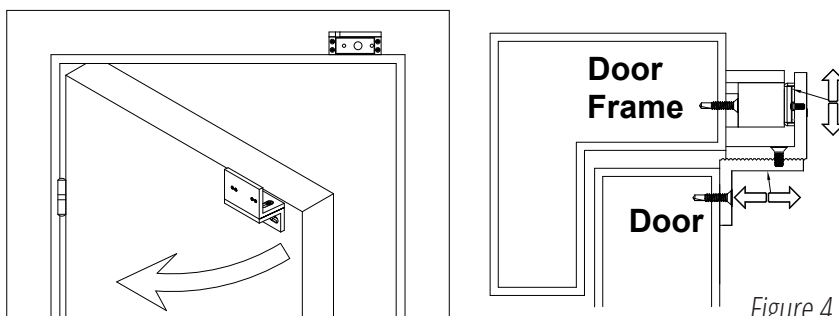


Figure 4.3 Schematic of L&Z Brackets Installed