

CM-4085 and CM-5085 Series Mushroom Push Buttons

INSTALLATION INSTRUCTIONS

THIS PACKAGE INCLUDES:

- 1 - 1-5/8" (40mm) Diameter button (CM-4085 series) or 2-3/8" (60mm) Diameter button (CM-5085 Series)
- 1 - Pneumatic time delay.
- 1 - Single Gang Die-cast Aluminum Faceplate
- 1 - Parts Kits



1. GENERAL DESCRIPTION

Camden Door Controls CM-4085 and CM-5085 Series Switches are heavy duty push buttons designed for industrial and commercial applications. CM-4085 buttons are 1-5/8 (40mm) in diameter, CM-5085 buttons are 2 3/8" (60mm) in diameter. They are available in red, blue, or green. All switches feature vandal resistance faceplate 1/4" [6mm] thick brushed aluminum, optional duranodic (US40) finish is also available.

CM-4085 and CM-5085 series switches are supplied with 1-60 second pneumatic timer. Pneumatic timer features 6 amps @ 24VDC.

2. SPECIFICATIONS

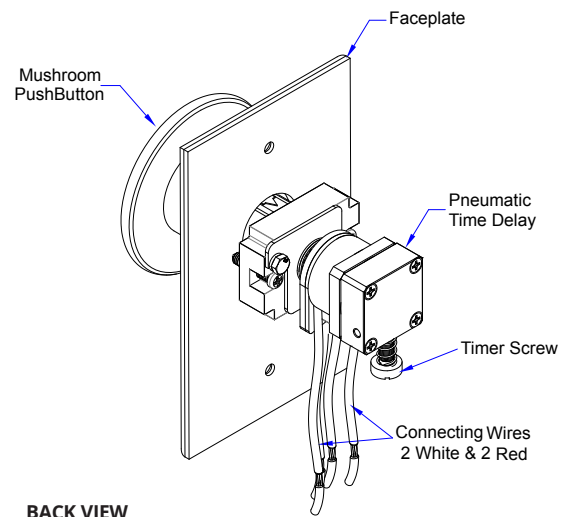
Voltage	12/24 VDC
Contact Rating	6A @ 24 VDC
Temperature Range	-13°F to 158°F (-25°C to 70°C)
Time Range:	1-60 Sec
Timer Life:	1,000,000 activations
Switch Type	Momentary
Contact Type:	N-C, N-O, Form Z
Standard Finish	Brushed Aluminum
Dimensions	CM-4185 NARROW: 4-1/2" H x 1-3/4" W x 2-1/8"D (114mm X 44mm x 54mm) CM-4085 & CM-5085 SINGLE GANG: 4-1/2" H x 2-3/4" W x 2-1/8"D (114mm X 70mm x 54mm)

3. APPLICATION

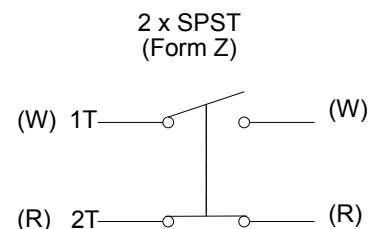
Camden CM-4085 and CM-5085 'Request To Exit' Series Switches with built in pneumatic time delay are ADA (American Disabilities Act) compliant and are designed to de-energize electric locking devices (such as magnetic locks) on egress doors without reliance upon electrical power for their operation. The mechanical pneumatic timer is also adjustable, allowing flexible time control as required in the field. Select models comply with UL 294 (standard for access control systems) and are designed for use in access control installations meeting IBC (International Building Code) requirements.

4. INSTALLATION

Pneumatic time delays require no power to operate. The timing range is 1 – 60 seconds and is easily adjusted by a thumbscrew. CM-4085 and 5085 Series mushroom push switches are heavy duty push buttons specially designed and manufactured to meet the stringent demands of exit control. No set screws are required, due to the bayonet interlocking of the modular assembly. Buttons are free spinning, for additional protection against vandalism.



5. WIRING



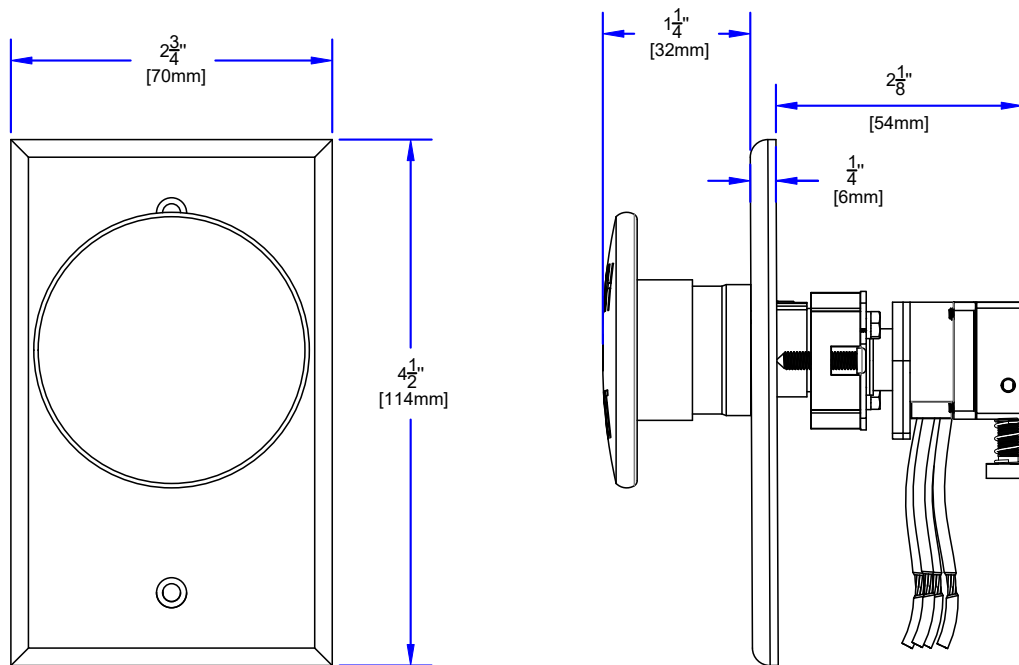
Momentary: When the switch is pressed it will provide a change of state on both of the N.O. & N.C. poles until released

NORMALLY OPEN	WHITE	WHITE
NORMALLY CLOSED	RED	RED

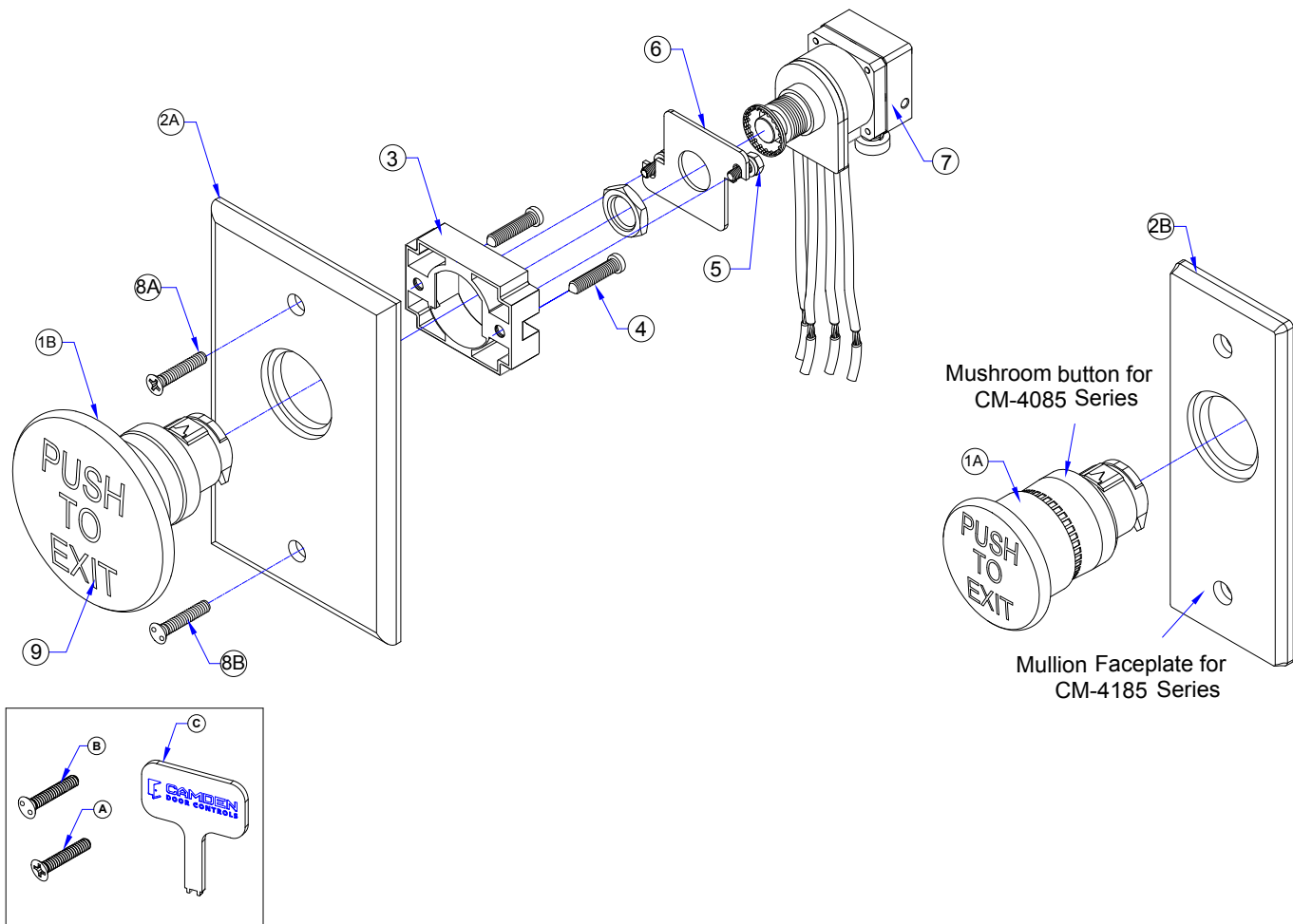
CM-4085 AND CM-5085 SERIES MUSHROOM PUSH BUTTONS

INSTALLATION INSTRUCTIONS

6. CM-4085 AND CM-5085 SERIES FRONT AND SIDE VIEW



7. PARTS INFORMATION



CM-4085 AND CM-5085 SERIES MUSHROOM PUSH BUTTONS

INSTALLATION INSTRUCTIONS

MODEL NUMBERS				
	MODEL NUMBER		QTY	DESCRIPTION
	CM-4085 SERIES	CM-5085 SERIES		
	CM-4185	-	1	SPRING RETURN WITH MULLION FACEPLATE, DPST 1-60 SEC PNEUMATIC TIME DELAY REQUEST TO EXIT SWITCH
	CM-4085	CM-5085	1	SPRING RETURN, DPST 1-60 SEC PNEUMATIC TIME DELAY REQUEST TO EXIT SWITCH
	CM-4085RPTE	CM-5085RPTE	1	SPRING RETURN, DPST 1-60 SEC PNEUMATIC TIME DELAY, RED BUTTON, 'PUSH TO EXIT'. COMPLETE MODEL. NO 'OPTIONS OR FINISHES' AVAILABLE
	-	CM-5085GPTE	1	SPRING RETURN, DPST 1-60 SEC PNEUMATIC TIME DELAY GREEN BUTTON, 'PUSH TO EXIT'. COMPLETE MODEL. NO 'OPTIONS OR FINISHES' AVAILABLE

ORDERING INFORMATION FOR REPLACEMENT PARTS			
ITEM NUMBER	PART NUMBER		DESCRIPTION
1.	A	CM-4085 SERIES	RED MOMENTARY MUSHROOM BUTTON (DIA. 1-5/8")
		60-66A000	
		60-66A005	
	B	60-66A006	GREEN MOMENTARY MUSHROOM BUTTON (DIA. 1-5/8")
		CM-5085 SERIES	RED MOMENTARY MUSHROOM BUTTON (DIA. 2-3/8")
		60-66A007	
		60-66A009	
2.	A	60-41A003	DIE-CAST ALUMINUM SINGLE GANG FACE PLATE 4 1/2"H x 2 3/4"W x 1 3/4"D (114mm x 70mm x 44mm)
	B	60-41A004	DIE-CAST ALUMINUM MULLION FACE PLATE 4 1/2"H x 1 3/4"W x 1 3/4"D (114mm x 44mm x 44mm)
3.		60-40G020	ALUMINUM BLOCK
4.		60-51Z051G20	M4-07 X 16MM PHILLIPS SCREW, CADMIUM PLATED
5.		60-51Z092B08	M3 X 8 HEX HD CAP SCREW
6.		60-40A004	MOUNT BRACKET
7.		RM-1000/85M	PNEUMATIC TIME DELAY

PARTS KIT		
ITEM NUMBER	PART NUMBER	DESCRIPTION
8.	60-34B038	(A) 6-32 X 3/4 FLAT HEAD PHILLIPS ZINC PLATED SCREW (B) 6-32 X 3/4 SNAKE EYE TAMPER PROOF SCREW (C) TAMPER PROOF (SNAKE EYE) KEY

BUTTON ENGRAVED (IN WHITE) OPTIONS		
ITEM NUMBER	MODEL NUMBER	ENGRAVED GRAPHIC DESCRIPTION
9.	CM-xxxE	EXIT
	CM-xxxS	EXIT / SORTIE
	CM-xxxS	SORTIE
	CM-xxxESA	EXIT / SALIDA
	CM-xxxH	HANDICAP LOGO
	CM-xxxSA	SALIDA

COMPATIBLE MOUNTING BOXES		
ITEM NUMBER	PART NUMBER	DESCRIPTION
10.	CM-66	FLUSH BOX & DRESS PLATE, STANDARD DEPTH BOX WITH 7" X 7" DRESS PLATE HEAVY GAUGE STAINLESS STEEL
	CM-31	SLEEVE COVER FOR STANDARD 2 3/4" X 4 1/4" (70MM X 108MM) SURFACE ELECTRICAL BOX. HEAVY GAUGE STAINLESS STEEL
	CM-CPC1	VANDAL AND WEATHER RESISTANT CLEAR LIFT COVER
	CM-34D	SURFACE BOX WITH EXTRA DEPTH HEAVY DUTY GREY POLYMER 4-1/2" H x 2-3/4" W x 3" D (114mm x 70mm x 76mm)